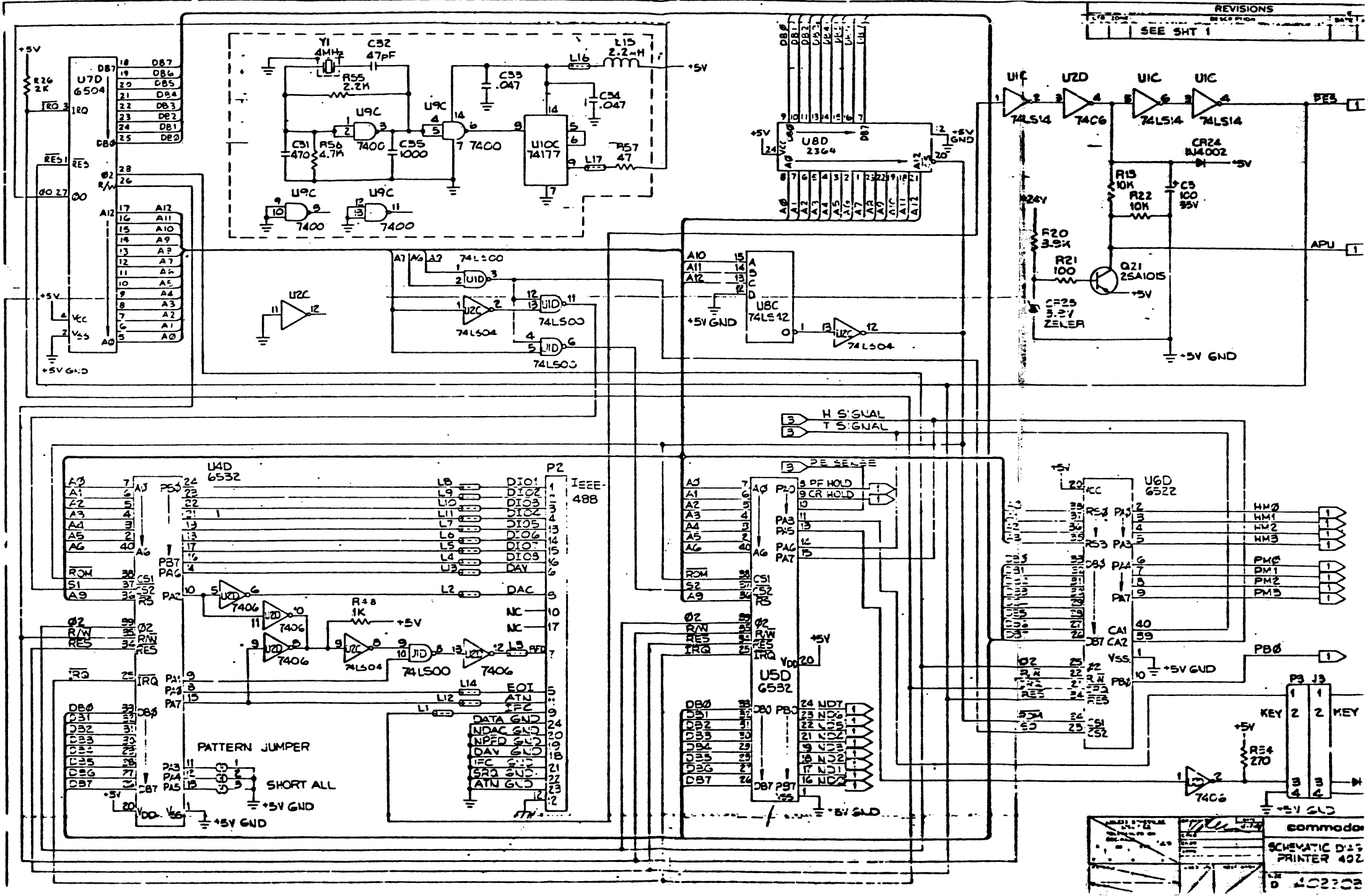


DESIGNED BY 1/20/78	DATE 1/20/78	COMMODORE
SCHEMATIC DIAGRAM		PRINTER 4022
D 4022022		SCALE: 1:1



REVISIONS	
1	SEE SHT 1



commoda  
SCHEMATIC DIAGRAM  
PRINTER 402  
D 402702



**This was brought to you**

**from the archives of**

**<http://retro-commadore.eu>**